



January 1, 2024

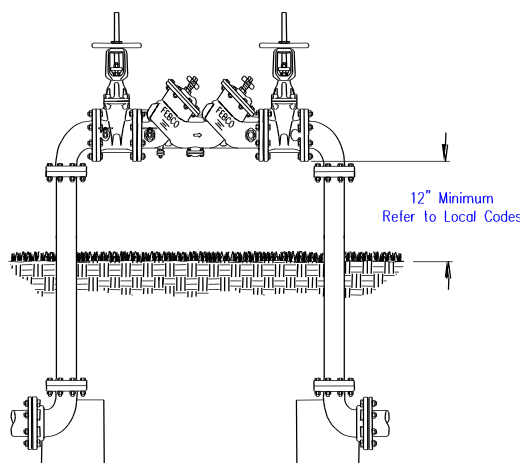
## NOTICE OF APPROVED BACKFLOW PREVENTION ASSEMBLIES FOR SOUTH CAROLINA

Enclosed is the revised list of approved backflow prevention assemblies and a list of backflow equipment representatives.

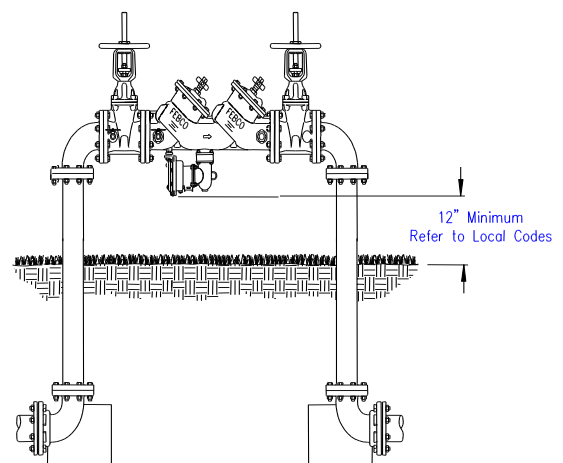
The following should be considered before selecting a particular assembly:

1. All local plumbing laws and regulations must be adhered to.
2. Manufacturer's installation instructions shall be strictly adhered to. To include being listed for Potable Use.
3. **Reduced pressure principle assemblies (RPPA) shall be installed so that the relief port will never become submerged or subject to a toxic environment. This prohibits installation in a pit that cannot be drained by gravity to the surface of the ground. Also, RPPA are not acceptable for the vertical orientation unless approved by the University of Southern California's Foundation for Cross Connection Control & Hydraulic Research.**
4. The operating performance of these assemblies varies among manufacturers. therefore, it is suggested that local water authorities be contacted to assist in selecting an assembly which is best suited for that particular system.
5. The South Carolina Department of Health and Environmental Control reserves the right to add or to remove from the approved list any reduced pressure principle assembly, pressure vacuum breaker, or double check valve assembly.
6. It is a requirement that backflow prevention assemblies be tested immediately after installation and at least once a year thereafter. If a serious defect is discovered at the time of the first (immediate inspection after installation) inspection or after any subsequent inspections, it is requested that the Department of Health and Environmental Control be notified so prompt action can be taken to review the approved status of the assembly.
7. **By-pass piping is not permitted unless the by-pass piping is equipped with an approved backflow prevention assembly similar to the main line assembly.** In many instances it will be desirable, or necessary to install two approved backflow prevention assemblies in order that water service will not be interrupted during the testing or repair of the assembly.

8. Some manufacturers market, as non-standard equipment, assemblies capable of withstanding elevated temperatures. The high temperature assemblies should be ordered from the manufacturer to include documentation certifying their ability to withstand high temperatures.
9. **Any reduced pressure principle assembly, pressure vacuum breaker, or double Check valve assembly on this list of approved assemblies must be equipped with either resilient seated ball valves or resilient wedged gate valves.** Butterfly valves are acceptable on backflow assemblies as long they are approved by the University of Southern California's Foundation for Cross Connection Control & Hydraulic Research.
10. If a manufacturer markets a prefabricate "manifold" series it will be approved as long as both of the assemblies in the manifold are from the approved list.
11. Manufacturer's now design and sell **type I and type II** double check detector assemblies and reduced pressure detector assemblies for fire sprinkler systems. There is an importance difference between the type I and type II detector assemblies. The type I DCDA or RPDA will have two double check valve assemblies or two reduced pressure principle assemblies. One on the main line and one on the by-pass and both must be tested. There will be a flow indicator (meter) on the by-pass line to detect water usage. The type II DCDA or RPDA will only have one double check valve assembly or reduced pressure principle assembly which will be installed on the main fire line. However, the by-pass line will be installed at or near test cock number 3 where the by-pass line will only have a single check valve installed after the water meter. Both the type I and type II detector assemblies must be assembled by the manufacturer and shipped as a complete unit. Any alterations of this assembly in the field must meet manufacturer's specifications and/or the USCFC&HR.



Double Check Assembly  
Outdoor Installation - OS&Y Gates



Reduced Pressure Assembly  
Outdoor Installation - OS&Y Gates



**SCDHEC**

**LIST OF APPROVED BACKFLOW PREVENTION ASSEMBLIES**

**DOUBLE CHECK VALVE ASSEMBLIES**

Type	Manufacturer	Model	Size(s)
DC	Ames	2000B	1/2" thru 2"
DC	Ames	2000B-FP	42797
DC	Ames	2000BM1-FP	1 & 2
DC	Ames	2000BM2-FP	1 1/4 & 1 1/2
DC	Ames	2000BM3	0.75
DC	Ames	2000BM3-FP	0.75
DC	Ames	2000CIV	4 Thru 10
DC	Ames	2000-DC	10
DC	Ames	2000-DCA	4
DC	Ames	2000-DCA	6
DC	Ames	2000-DCA	8
DC	Ames	2000-G-DC	10
DC	Ames	2000-G-DCA	4
DC	Ames	2000-G-DCA	6
DC	Ames	2000-G-DCA	8
DC	Ames	2000SE	2 1/2, 6, 8
DC	Ames	2000SS	3/4 thru 12
DC	Ames	2000SS-M	4
DC	Ames	2000SS-M	6
DC	Ames	200B	1/2 thru 2
DC	Ames	200B R10	1/2 & 3/4
DC	Ames	200B-A	1/2, 1, 1 1/4, 1 1/2 & 2
DC	Ames	200B-AR10	1/2 & 3/4
DC	Ames	Colt 200	1 1/2 thru 10
DC	Ames	Colt 200a	2 1/2 thru 6
DC	Ames	Colt 200N	2 1/2 thru 10
DC	Ames	Colt 200Na	2 1/2 thru 6
DC	Ames	DC	4 thru 8
DC	Ames	Deringer 20	2 1/2 thru 8
DC	Ames	Deringer 20G	2 1/2 thru 8
DC	Ames	Deringer 20GX	4 & 6
DC	Ames	Deringer 20X	4 & 6
DC	Ames	LF2000B	0.5
DC	Ames	LF2000BM1	1 & 2
DC	Ames	LF2000BM1-FP	1 & 2

Type	Manufacturer	Model	Size(s)
DC	Ames	LF2000BM2	1 1/4 & 1 1/2
DC	Ames	LF2000BM2-FP	1 1/4 & 1 1/2
DC	Ames	LF2000BM3	0.75
DC	Ames	LF200B	1/2 thru 2
DC	Ames	LF200B R10	1/2 & 3/4
DC	Ames	LF200B-A	1 thru 2
DC	Ames	LFU200B	1 thru 2
DC	Ames	Maxim 200	2 1/2 thru 10
DC	Ames	Maxim 200a	2 1/2 thru 4
DC	Ames	Maxim 200N	2 1/2 thru 8
DC	Ames	Maxim 200Na	2 1/2 thru 4
DC	Ames	U200B	1 thru 2
DC	Ames	U200BR10	1/2 & 3/4
DC	Apollo/Conbraco	2 1/2DC	2.5
DC	Apollo/Conbraco	2 1/2DC-7	2.5
DC	Apollo/Conbraco	2 1/2DC8	2.5
DC	Apollo/Conbraco	2 1/2DCU	2.5
DC	Apollo/Conbraco	3DC	3
DC	Apollo/Conbraco	3DC7	3
DC	Apollo/Conbraco	3DC8	3
DC	Apollo/Conbraco	3DCU	3
DC	Apollo/Conbraco	40-100-02	3
DC	Apollo/Conbraco	40-100-03	3
DC	Apollo/Conbraco	40-100-05	3
DC	Apollo/Conbraco	40-103-02	0.5
DC	Apollo/Conbraco	40-104-02	0.75
DC	Apollo/Conbraco	40-104-A2	0.75
DC	Apollo/Conbraco	40-104-A2T	0.75
DC	Apollo/Conbraco	40-104-T2	0.75
DC	Apollo/Conbraco	40-105-02	1
DC	Apollo/Conbraco	40-105-A2	1
DC	Apollo/Conbraco	40-105-A2T	1
DC	Apollo/Conbraco	40-105-TC2	1
DC	Apollo/Conbraco	40-106-02	1.25
DC	Apollo/Conbraco	40-106-99T	1.25
DC	Apollo/Conbraco	40-106-A2	1.25
DC	Apollo/Conbraco	40-106-A2T	1.25
DC	Apollo/Conbraco	40-107-02	1.5
DC	Apollo/Conbraco	40-107-A2	1.5
DC	Apollo/Conbraco	40-107-A2T	1.5
DC	Apollo/Conbraco	40-108-02	2



Type	Manufacturer	Model	Size(s)
DC	Apollo/Conbraco	40-108-A2	2
DC	Apollo/Conbraco	40-108-A2T	2
DC	Apollo/Conbraco	40-109-02	2.5
DC	Apollo/Conbraco	40-109-03	2.5
DC	Apollo/Conbraco	40-109-05	2.5
DC	Apollo/Conbraco	40-10A-02	4
DC	Apollo/Conbraco	40-10A-03	4
DC	Apollo/Conbraco	40-10A-05	4
DC	Apollo/Conbraco	40-10A-06	4
DC	Apollo/Conbraco	40-10C-02	6
DC	Apollo/Conbraco	40-10C-03	6
DC	Apollo/Conbraco	40-10C-05	6
DC	Apollo/Conbraco	40-10C-06	6
DC	Apollo/Conbraco	40-10E-02	8
DC	Apollo/Conbraco	40-10E-03	8
DC	Apollo/Conbraco	40-10E-06	8
DC	Apollo/Conbraco	40-10G-02	10
DC	Apollo/Conbraco	40-10G-03	10
DC	Apollo/Conbraco	40-10G-06	10
DC	Apollo/Conbraco	4D-100	2.5 thru 4
DC	Apollo/Conbraco	4D-100U	2.5 thru 4
DC	Apollo/Conbraco	4DC	4
DC	Apollo/Conbraco	4DC7	4
DC	Apollo/Conbraco	4DC8	4
DC	Apollo/Conbraco	4DCU	4
DC	Apollo/Conbraco	6DC	6
DC	Apollo/Conbraco	6DC7	6
DC	Apollo/Conbraco	6DC8	6
DC	Apollo/Conbraco	6DCU	6
DC	Apollo/Conbraco	8DC	8
DC	Apollo/Conbraco	8DC8	8
DC	Apollo/Conbraco	DC40	3/4 thru 2
DC	Apollo/Conbraco	DC4AY	3/4 & 1
DC	Apollo/Conbraco	DC4S	0.5
DC	Apollo/Conbraco	DC4S	10
DC	Apollo/Conbraco	DC4SG	2 1/2 thru 8
DC	Apollo/Conbraco	DC4SGN	2 1/2 thru 8
DC	Apollo/Conbraco	DCLF4A	1/2 thru 12
DC	Apollo/Conbraco	DCLF4AN	2 1/2 thru 12
DC	Apollo/Conbraco	DCLF4AR	2 1/2 thru 10
DC	Apollo/Conbraco	DCLF4AY	3/4 & 1
DC	Apollo/Conbraco	DCLF4SG	2 1/2 thru 6
DC	Apollo/Conbraco	W432100	0.5
DC	ARI	DC 500	1/2 thru 2
DC	ARI	DC 501	1/2 thru 2
DC	Backflow Direct	Deringer 20	2 1/2 thru 8
DC	Backflow Direct	Deringer 20G	2 1/2 thru 8

Type	Manufacturer	Model	Size(s)
DC	Backflow Direct	Deringer 20GX	4 & 6
DC	Backflow Direct	Deringer 20X	4 & 6
DC	Backflow Direct	Magnum 20	2 1/2 , 3, 4, 8
DC	Backflow Direct	Magnum 20G	2 1/2 thru 8
DC	Backflow Direct	Magnum 20GX	6
DC	Backflow Direct	Magnum 20X	6
DC	BEECO	Barracuda 20	2 1/2 , 3, 4, 6, 8
DC	BEECO	Barracuda 20X	6
DC	BEECO	FDC	1/2, 3/4
DC	BEECO	FDC	1 1/4, 1 1/2
DC	BEECO	FDC	2.5
DC	BEECO	FDC	3
DC	BEECO	FDC	3
DC	BEECO	FDC	4
DC	BEECO	FDC	4
DC	BEECO	FDC	6
DC	BEECO	FDC	6
DC	BEECO	FDC	2 1/2 thru 6
DC	Cla-Val	D4	8
DC	Cla-Val	D4	10
DC	Febco	850	1/2 thru 8
DC	Febco	857	2 1/2 & 3
DC	Febco	870	2.5
DC	Febco	870	3 thru 10
DC	Febco	805Y	3/4, 1, 1 1/2, 2
DC	Febco	805YB	0.75
DC	Febco	805YD	2 1/2 thru 10
DC	Febco	805YR	3/4 & 1
DC	Febco	850F	0.75
DC	Febco	850U	1/2 thru 2
DC	Febco	870V	2 1/2 thru 10
DC	Febco	LF850	0.5
DC	Febco	LF850	1/2 thru 10
DC	Febco	LF850U	1/2 thru 2
DC	Febco	LF870V	2 1/2 thru 10
DC	Febco	LF870W	4 thru 10
DC	Febco	LF870WZ	4 thru 10
DC	Watts	700	2 1/2 & 3
DC	Watts	709	2 1/2 thru 10
DC	Watts	757	2 1/2 thru 10
DC	Watts	767	2 1/2 thru 10
DC	Watts	770	8



Type	Manufacturer	Model	Size(s)
DC	Watts	772	4 & 10
DC	Watts	774	8 thru 12
DC	Watts	007	2 1/2 & 3
DC	Watts	007M1-FP	1 & 2
DC	Watts	007M1PCQT	3/4, 1, 1 1/2, 2
DC	Watts	007M1QT	3/4, 1, 1 1/2, 2
DC	Watts	007M2-FP	1 1/4 & 1 1/2
DC	Watts	007M2PCQT	1 1/4 & 1 1/2
DC	Watts	007M2QT	3/4, 1 1/4, 1 1/2
DC	Watts	007M3-FP	0.75
DC	Watts	007M3QT	0.75
DC	Watts	007PCQT	0.5
DC	Watts	007PCQT	1 1/2 & 2
DC	Watts	007QT	1/2, 3/4, 1, 1 1/2, 2
DC	Watts	007SSM1PCQT	3/4 & 1
DC	Watts	007SSM1QT	3/4 & 1
DC	Watts	007SSPCQT	1 1/2 & 2
DC	Watts	007SSQT	3/4, 1, 1 1/2, 2
DC	Watts	709BB	2 1/2 & 3
DC	Watts	709QT	3/4, 1, 1 1/2, 2
DC	Watts	719AQT	1/2, 1, 1 1/4, 1 1/2, 2
DC	Watts	719AQTR10	1/2 & 3/4
DC	Watts	719QT	1/2 thru 2
DC	Watts	719QTR10	1/2 & 3/4
DC	Watts	757a	2 1/2 thru 6
DC	Watts	757N	2 1/2 thru 10
DC	Watts	757Na	2 1/2 thru 6
DC	Watts	757NQT	2 1/2, 3, 4
DC	Watts	757QT	2 1/2, 3, 4
DC	Watts	767a	2 1/2, 3, 4
DC	Watts	767N	2 1/2 thru 8
DC	Watts	767Na	2 1/2, 3, 4
DC	Watts	770	4
DC	Watts	770QTFDA	4
DC	Watts	770QTFDA	8
DC	Watts	774	2 1/2 thru 6
DC	Watts	774X	2 1/2, 6, 8

Type	Manufacturer	Model	Size(s)
DC	Watts	775QT	1/2 thru 2
DC	Watts	LF007	2 1/2 & 3
DC	Watts	LF007IOTQT	1/2
DC	Watts	LF007M1IOTQT	1 & 2
DC	Watts	LF007M1PCQT	1 & 2
DC	Watts	LF007M1QT	1 & 2
DC	Watts	LF007M2QT	1 1/4 & 1 1/2
DC	Watts	LF007M3IOTQT	3/4
DC	Watts	LF007M3PCQT	0.75
DC	Watts	LF007M3QT	0.75
DC	Watts	LF007PCQT	0.5
DC	Watts	LF007QT	0.5
DC	Watts	LF709	2 1/2 thru 10
DC	Watts	LF719AQT	1 thru 2
DC	Watts	LF719QT	1/2 thru 2
DC	Watts	LF719QTR10	1/2 & 3/4
DC	Watts	LFU719QT	1 thru 2
DC	Watts	Magnum 20	2 1/2 thru 8
DC	Watts	Magnum 20G	2 1/2 thru 8
DC	Watts	SS007M1QT	1
DC	Watts	SS007M3QT	1/2 & 3/4
DC	Watts	U007M1APCQT	3/4 & 2
DC	Watts	U007M1AQT	3/4 & 2
DC	Watts	U007M1PCQT	3/4, 1, 1 1/2, 2
DC	Watts	U007M1QT	3/4, 1, 1 1/2, 2
DC	Watts	U007M2AQT	1.5
DC	Watts	U007M2QT	1 1/4 & 1 1/2
DC	Watts	U007PCQT	3/4, 1, 1 1/2, 2
DC	Watts	U007QT	1/2, 3/4, 1, 1 1/2, 2
DC	Watts	U007SSPCQT	3/4, 1, 1 1/2, 2
DC	Watts	U007SSQT	3/4, 1, 1 1/2, 2
DC	Watts	U719QT	1 thru 2
DC	Watts	U719QTR10	1/2 & 3/4
DC	Wilkins	350	3/4 thru 12
DC	Wilkins	450	2 1/2 thru 10
DC	Wilkins	550	0.75
DC	Wilkins	550	1 thru 6
DC	Wilkins	950	3/4 thru 10



Type	Manufacturer	Model	Size(s)
DC	Wilkins	350A	2 1/2 thru 10
DC	Wilkins	350AR	2 1/2 thru 10
DC	Wilkins	350ARXL	2 1/2 thru 10
DC	Wilkins	350AST	2 1/2 thru 10
DC	Wilkins	350ASTR	2 1/2 thru 10
DC	Wilkins	350AXL	2 1/2 thru 10
DC	Wilkins	350D	0.75
DC	Wilkins	350XL	3/4 thru 12
DC	Wilkins	450ST	4 thru 10
DC	Wilkins	450STR	4 thru 10
DC	Wilkins	450XL	2 1/2 thru 10
DC	Wilkins	550	2.5
DC	Wilkins	550A	3/4 & 1
DC	Wilkins	550M	8 & 10
DC	Wilkins	950A	3/4 thru 2

Type	Manufacturer	Model	Size(s)
DC	Wilkins	950XL	0.75
DC	Wilkins	950XL	3/4 thru 2
DC	Wilkins	950XL3	3/4 thru 2
DC	Wilkins	950XL3BFS S	2
DC	Wilkins	950XL3U	3/4 thru 2
DC	Wilkins	950XLD	0.75
DC	Wilkins	950XLDTCU	0.75
DC	Wilkins	950XLR2BFS S	2
DC	Wilkins	950XLT	3/4 thru 2
DC	Wilkins	950XLT2	3/4 thru 2
DC	Wilkins	950XLT2U	0.75
DC	Wilkins	950XLTBF	2
DC	Wilkins	950XLTBFS S	2
DC	Wilkins	950XLTU	3/4 & 1
DC	Wilkins	950XLU	3/4, 1, 1 1/2, 2



## Type I – Double Check Detector Assemblies & Reduced Pressure Detector Assemblies

The following assemblies are **Type I** Double Check DETECTOR Assemblies and Reduced Pressure DETECTOR Assemblies. These assemblies are made up from DCVA's and RPPA's which are approved elsewhere on this list. These assemblies are designed for FIRE LINE SPRINKLER use. If a Double Check Detector Assembly or Reduced Pressure Detector Assembly is prescribed, it should be done with an understanding that the meter on the by-pass line should be read periodically to be of any value. Don't forget that when the annual testing is done, both assemblies are required to be tested (Ex: Mainline Assem. And by-pass Assem.). This type I detector assembly must be assembled by the manufacturer and shipped as a complete unit. Any alterations of this assembly in the field must meet manufacturer's specifications and/or the USCFC&HR.

### TYPE I – DOUBLE CHECK DETECTOR ASSEMBLIES ARE:

Type	Manufacturer	Model	Size(s)
DCDA	Ames	3000-1SS	12
DCDA	Ames	3000B	2
DCDA	Ames	3000B-FP	2
DCDA	Ames	3000BM1	2
DCDA	Ames	3000CIV	4 thru 10
DCDA	Ames	3000DCDA	4 thru 8
DCDA	Ames	3000DCDC	10
DCDA	Ames	3000GDCDA	4 thru 8
DCDA	Ames	3000GDCDC	10
DCDA	Ames	3000SE	2 1/2, 6, 8
DCDA	Ames	3000SEA	8
DCDA	Ames	3000SEWM1	6
DCDA	Ames	3000SS	2 1/2 thru 12
DCDA	Ames	3000SSA	6
DCDA	Ames	3000SSM	4 & 6
DCDA	Ames	3000SSWM1	2 1/2 thru 4
DCDA	Ames	Colt 300aBF	2 1/2 thru 6
DCDA	Ames	Colt 300aGV	2 1/2 thru 6
DCDA	Ames	Colt 300BF	2 1/2 thru 10
DCDA	Ames	Colt 300GV	2 1/2 thru 10
DCDA	Ames	Colt 300NBF	2 1/2 thru 10
DCDA	Ames	Colt 300NGV	2 1/2 thru 10
DCDA	Ames	DCDC	4 thru 8
DCDA	Ames	LFColt 300BF	2 1/2 thru 10
DCDA	Ames	LFColt 300GV	2 1/2 thru 10

Type	Manufacturer	Model	Size(s)
DCDA	Ames	LFColt 300NBF	2 1/2 thru 10
DCDA	Ames	LFColt 300NGV	2 1/2 thru 10
DCDA	Ames	LFMaxim 300BF	2 1/2 thru 10
DCDA	Ames	LFMaxim 300GV	2 1/2 thru 10
DCDA	Ames	LFMaxim 300NBF	2 1/2 thru 10
DCDA	Ames	LFMaxim 300NGV	2 1/2 thru 10
DCDA	Ames	Maxim 300aBF	2 1/2, 3, 4
DCDA	Ames	Maxim 300aGV	2 1/2, 3, 4
DCDA	Ames	Maxim 300BF	2 1/2 thru 10
DCDA	Ames	Maxim 300GV	2 1/2 thru 10
DCDA	Ames	Maxim 300NBF	2 1/2 thru 10
DCDA	Ames	Maxim 300NGV	2 1/2 thru 10
DCDA	Apollo/Conbraco	40600000	3
DCDA	Apollo/Conbraco	2 1/2DCDA	2.5
DCDA	Apollo/Conbraco	2 1/2DCDA6	2.5
DCDA	Apollo/Conbraco	2 1/2DCDA7	2.5
DCDA	Apollo/Conbraco	2 1/2DCDA8	2.5
DCDA	Apollo/Conbraco	2 1/2DCDAU	2.5
DCDA	Apollo/Conbraco	3DCDA	3
DCDA	Apollo/Conbraco	3DCDA6	3
DCDA	Apollo/Conbraco	3DCDA7	3
DCDA	Apollo/Conbraco	3DCDA8	3
DCDA	Apollo/Conbraco	3DCDAU	3
DCDA	Apollo/Conbraco	40600C3	3
DCDA	Apollo/Conbraco	4060AC3	4
DCDA	Apollo/Conbraco	4060AC6	4



Type	Manufacturer	Model	Size(s)
DCDA	Apollo/Conbraco	4060AE3	4
DCDA	Apollo/Conbraco	4060AE6	4
DCDA	Apollo/Conbraco	4060CC3	6
DCDA	Apollo/Conbraco	4060CC6	6
DCDA	Apollo/Conbraco	4060CE3	6
DCDA	Apollo/Conbraco	4060CE6	6
DCDA	Apollo/Conbraco	4060EC3	8
DCDA	Apollo/Conbraco	4060EC6	8
DCDA	Apollo/Conbraco	4060EE3	8
DCDA	Apollo/Conbraco	4060EE6	8
DCDA	Apollo/Conbraco	4060GC3	10
DCDA	Apollo/Conbraco	4060GC6	10
DCDA	Apollo/Conbraco	4060GE3	10
DCDA	Apollo/Conbraco	4060GE6	10
DCDA	Apollo/Conbraco	4DCDA	4
DCDA	Apollo/Conbraco	4DCDA6	4
DCDA	Apollo/Conbraco	4DCDA7	4
DCDA	Apollo/Conbraco	4DCDA8	4
DCDA	Apollo/Conbraco	4DCDAU	4
DCDA	Apollo/Conbraco	6DCDA	6
DCDA	Apollo/Conbraco	6DCDA6	6
DCDA	Apollo/Conbraco	6DCDA7	6
DCDA	Apollo/Conbraco	6DCDA8	6
DCDA	Apollo/Conbraco	6DCDAU	6
DCDA	Apollo/Conbraco	8DCDA	8
DCDA	Apollo/Conbraco	8DCDA7	8
DCDA	Apollo/Conbraco	8DCDA8	8
DCDA	Apollo/Conbraco	DCDA4S	10
DCDA	Apollo/Conbraco	DCDA4SG	2 1/2 thru 8
DCDA	Apollo/Conbraco	DCDA4SGN	2 1/2 thru 8
DCDA	Apollo/Conbraco	DCDALF4A	2 1/2 thru 8
DCDA	Apollo/Conbraco	DCDALF4AN	2 1/2 thru 8
DCDA	Apollo/Conbraco	DCDALF4AP	8
DCDA	Apollo/Conbraco	DCDALF4AR	2 1/2 thru 8
DCDA	Febco	856	2 1/2 thru 8
DCDA	Febco	858	2, 2 1/2, 3
DCDA	Febco	876	2 1/2 thru 10
DCDA	Febco	806YD	3 thru 10
DCDA	Febco	856ST	2 1/2 thru 10
DCDA	Febco	876V	2 1/2 thru 10
DCDA	Febco	876VST	2 1/2 thru 8
DCDA	Watts	007DCDA	2, 2 1/2, 3
DCDA	Watts	007DCDA-FP	2
DCDA	Watts	007M1DCDA	2

Type	Manufacturer	Model	Size(s)
DCDA	Watts	709DCDA	3 thru 10
DCDA	Watts	757aDCDABF	2 1/2 thru 6
DCDA	Watts	757aDCDAGV	2 1/2 thru 6
DCDA	Watts	757DCDABF	2 1/2 thru 10
DCDA	Watts	757DCDAGV	2 1/2 thru 10
DCDA	Watts	757NDCDABF	2 1/2 thru 10
DCDA	Watts	757NDCDAGV	2 1/2 thru 10
DCDA	Watts	767aDCDABF	2 1/2, 3, 4
DCDA	Watts	767aDCDAGV	2 1/2, 3, 4
DCDA	Watts	767DCDABF	2 1/2 thru 10
DCDA	Watts	767DCDAGV	2 1/2 thru 10
DCDA	Watts	767NDCDABF	2 1/2 thru 10
DCDA	Watts	767NDCDAGV	2 1/2 thru 10
DCDA	Watts	770DCDA	4 & 8
DCDA	Watts	772DCDA	4 & 10
DCDA	Watts	774DCDA	2 1/2 thru 12
DCDA	Watts	774DCDA-1	12
DCDA	Watts	774XDCDA	2 1/2, 6, 8
DCDA	Watts	LF757DCDABF	2 1/2 thru 10
DCDA	Watts	LF757DCDAGV	2 1/2 thru 10
DCDA	Watts	LF757NDCDABF	2 1/2 thru 10
DCDA	Watts	LF757NDCDAGV	2 1/2 thru 10
DCDA	Wilkins	350ADA	2 1/2 thru 10
DCDA	Wilkins	350ADAR	2 1/2 thru 10
DCDA	Wilkins	350ASTDA	2 1/2 thru 10
DCDA	Wilkins	350ASTDAR	2 1/2 thru 10
DCDA	Wilkins	350DA	2 1/2 thru 12
DCDA	Wilkins	450DA	4 thru 10
DCDA	Wilkins	450STDA	4 thru 10
DCDA	Wilkins	450STDAR	4 thru 10
DCDA	Wilkins	950DA	2 1/2 thru 10
DCDA	Wilkins	950XLTD	2
DCDA	Wilkins	950XLTDABF	2
DCDA	Wilkins	DCDA	2 1/2 thru 6





**TYPE I – REDUCED PRESSURE DETECTOR ASSEMBLIES ARE:**

Type	Manufacturer	Model	Size(s)
RPDA	Ames	5000	4 thru 10
RPDA	Ames	5000CIV	2 1/2 thru 10
RPDA	Ames	Colt 500-GV	2 1/2 thru 10
RPDA	Ames	Colt 500NBF	2 1/2, 3, 4, 8
RPDA	Ames	Colt 500NGV	2 1/2 thru 8
RPDA	Ames	Colt 500ZBF	2 1/2, 3, 4, 8
RPDA	Ames	Colt 500ZGV	2 1/2, 3, 4, 8
RPDA	Ames	LFColt 500GV	2 1/2 thru 10
RPDA	Ames	LFColt 500-GV	2 1/2 thru 6
RPDA	Ames	LFColt 500NBF	2 1/2 thru 4
RPDA	Ames	LFColt 500NGV	2 1/2 thru 4
RPDA	Ames	LFColt 500ZBF	2 1/2 thru 4
RPDA	Ames	LFColt 500ZGV	2 1/2 thru 4
RPDA	Ames	LFMaxim 500GV	2 1/2 thru 10
RPDA	Ames	LFMaxim 500NBF	2 1/2 & 3
RPDA	Ames	LFMaxim 500NGV	2 1/2 & 3
RPDA	Ames	LFMaxim 500ZBF	2 1/2 & 3
RPDA	Ames	LFMaxim 500ZGV	2 1/2 & 3
RPDA	Ames	Maxim 500-GV	2 1/2 thru 10
RPDA	Ames	Maxim 500NBF	2 1/2 thru 6
RPDA	Ames	Maxim 500NGV	2 1/2 thru 6
RPDA	Ames	Maxim 500ZBF	2 1/2, 3, 6
RPDA	Ames	Maxim 500ZGV	2 1/2, 3, 6
RPDA	Apollo/Conbraco	RPDALF4A	2 1/2 thru 8
RPDA	Apollo/Conbraco	RPDALF4AN	2 1/2 thru 8
RPDA	Apollo/Conbraco	RPDALF4AR	2 1/2 thru 8
RPDA	Cla-Val	18-4	10
RPDA	Febco	826YD	2 1/2 thru 10
RPDA	Watts	909RPDA	2 1/2 thru 10

Type	Manufacturer	Model	Size(s)
RPDA	Watts	957NRPDA-BF	2 1/2, 3, 4, 8
RPDA	Watts	957NRPDA-GV	2 1/2 thru 8
RPDA	Watts	957RPDA-GV	2 1/2 thru 10
RPDA	Watts	957ZRPDA-BF	2 1/2, 3, 4, 8
RPDA	Watts	957ZRPDA-GV	2 1/2, 3, 4, 8
RPDA	Watts	967NRPDA-BF	2 1/2 thru 6
RPDA	Watts	967NRPDA-GV	2 1/2 thru 6
RPDA	Watts	967RPDA-GV	2 1/2 thru 10
RPDA	Watts	967ZRPDA-BF	2 1/2, 3, 6
RPDA	Watts	967ZRPDA-GV	2 1/2, 3, 6
RPDA	Watts	990RPDA	4 & 8
RPDA	Watts	992RPDA	4 & 10
RPDA	Watts	LF957NRPDA-BF	2 1/2 thru 4
RPDA	Watts	LF957NRPDA-GV	2 1/2 thru 4
RPDA	Watts	LF957RPDA-GV	2 1/2 thru 10
RPDA	Watts	LF957ZRPDA-BF	2 1/2 thru 4
RPDA	Watts	LF957ZRPDA-GV	2 1/2 thru 4
RPDA	Wilkins	375ADA	2 1/2 thru 10
RPDA	Wilkins	375ADAR	2 1/2 thru 10
RPDA	Wilkins	375ASTDA	2 1/2 thru 10
RPDA	Wilkins	375ASTDAR	2 1/2 thru 10
RPDA	Wilkins	375DA	2 1/2 thru 10
RPDA	Wilkins	475DA	4, 6, 8
RPDA	Wilkins	475DAV	4, 6, 8
RPDA	Wilkins	475STDA	4, 6, 8
RPDA	Wilkins	475STDAR	4 thru 10
RPDA	Wilkins	975DA	2 1/2 thru 10



## Type II – Double Check Detector Assemblies & Reduced Pressure Detector Assemblies

The following assemblies are **Type II** Double Check DETECTOR Assemblies and Reduced Pressure DETECTOR Assemblies. These assemblies are designed for FIRE LINE SPRINKLER use. The type II DCDA or RPDA will only have one double check valve assembly or reduced pressure principle assembly which will be installed on the main fire line. However, the by-pass line will be installed at or near test cock number 3 where the by-pass line will only have a single check valve installed after the water meter. If a Double Check Detector Assembly or Reduced Pressure Detector Assembly is prescribed, it should be done with an understanding that the meter on the by-pass line should be read periodically to be of any value. Don't forget that when the annual testing is done, the main line backflow assembly and the single check on the by-pass line should both be tested. This type II detector assembly must be assembled by the manufacturer and shipped as a complete unit. Any alterations of this assembly in the field must meet manufacturer's specifications and/or the USCFCCC&HR.

### TYPE II - DOUBLE CHECK DETECTOR ASSEMBLIES AND TYPE II - REDUCED PRESSURE DETECTOR ASSEMBLIES:

Type	Manufacturer	Model	Size(s)
DCDA-II	Ames	Deringer 30	2 1/2 thru 8
DCDA-II	Ames	Deringer 30G	2 1/2 thru 8
DCDA-II	Ames	Deringer 30GX	4 & 6
DCDA-II	Ames	Deringer 30X	4 & 6
DCDA-II	Apollo/Conbraco	DCDA24A	1 1/2 & 2
DCDA-II	Apollo/Conbraco	DCDA2LF4A	1 1/2 thru 10
DCDA-II	Apollo/Conbraco	DCDA2LF4A N	10, 12
DCDA-II	Apollo/Conbraco	DCDA2LF4A R	2 1/2 thru 10
DCDA-II	Backflow Direct	Deringer 30	2 1/2 thru 8
DCDA-II	Backflow Direct	Deringer 30G	2 1/2 thru 8
DCDA-II	Backflow Direct	Deringer 30GX	4 & 6
DCDA-II	Backflow Direct	Deringer 30X	4 & 6
DCDA-II	Febco	LF856	2 1/2 thru 10
DCDA-II	Febco	LF876V	2 1/2 thru 10
DCDA-II	Febco	LF876W	4 thru 10
DCDA-II	Febco	LF876WZ	4 thru 10

Type	Manufacturer	Model	Size(s)
RPDA-II	Ames	Deringer 50	2 1/2, 3, 4, 6, 8
RPDA-II	Ames	Deringer 50G	2 1/2, 3, 4, 8
RPDA-II	Ames	Deringer 50GX	4, 6
RPDA-II	Ames	Deringer 50X	6
RPDA-II	Apollo/Conbraco	RPDA24A	1 1/2 & 2
RPDA-II	Apollo/Conbraco	RPDA2LF4A	1 1/2 thru 12
RPDA-II	Apollo/Conbraco	RPDA2LF4A N	10, 12
RPDA-II	Apollo/Conbraco	RPDA2LF4A R	2 1/2 thru 10
RPDA-II	Backflow Direct	Deringer 50	2 1/2, 3, 4, 6, 8
RPDA-II	Backflow Direct	Deringer 50G	2 1/2, 3, 4, 8
RPDA-II	Backflow Direct	Deringer 50GX	4, 6
RPDA-II	Backflow Direct	Deringer 50X	6
RPDA-II	Febco	LF866	2 1/2 thru 10
RPDA-II	Febco	LF886V	2 1/2 thru 10
RPDA-II	Febco	LF886W	4 thru 10
RPDA-II	Febco	LF886WZ	4 thru 10



**SCDHEC**

**LIST OF APPROVED BACKFLOW PREVENTION ASSEMBLIES**

**REDUCED PRESSURE PRINCIPLE ASSEMBLIES**

Approved for use to protect the potable water system from backflow when there is an actual or potential health hazard. The terms "health hazard" shall mean an actual or potential threat of contamination or pollution of a physical or toxic nature to the public potable water system or the consumer's potable water system to such a degree of intensity that there would be a danger to health.

Type	Manufacturer	Model	Size(s)
RP	Ames	4000B	1/2 thru 2
RP	Ames	4000B-FP	3/4 thru 2
RP	Ames	4000BM2	1
RP	Ames	4000BM2-FP	1 thru 2
RP	Ames	4000BM3	0.75
RP	Ames	4000BM3-FP	0.75
RP	Ames	4000CIV	2 1/2 thru 10
RP	Ames	4000RP	4 thru 10
RP	Ames	4000SS	2 1/2 thru 6
RP	Ames	400B	3/4 thru 2
RP	Ames	400B-A	3/4 thru 2
RP	Ames	400B-Z	3/4 thru 2
RP	Ames	Colt 400	2 1/2 thru 10
RP	Ames	Colt 400BF	4 & 6
RP	Ames	Colt 400N	2 1/2, 3, 4, 6, 8
RP	Ames	Colt 400Z	2 1/2, 3, 4, 8
RP	Ames	Deringer 40	2 1/2, 3, 4, 6, 8
RP	Ames	Deringer 40G	2 1/2, 3, 4, 8
RP	Ames	Deringer 40GX	6
RP	Ames	Deringer 40X	4, 6
RP	Ames	LF4000B	0.5
RP	Ames	LF4000BM2	1 thru 2
RP	Ames	LF4000BM2-FP	1 thru 2
RP	Ames	LF4000BM3	0.75
RP	Ames	Maxim 400	2 1/2 thru 10

Type	Manufacturer	Model	Size(s)
RP	Ames	Maxim 400N	2 1/2, 3, 4, 6
RP	Ames	Maxim 400Z	2 1/2, 3, 6
RP	Ames	U400B	1 thru 2
RP	Ames	U400B-A	3/4 thru 2
RP	Apollo/Conbraco	4020102	0.25
RP	Apollo/Conbraco	4020202	0.375
RP	Apollo/Conbraco	4020302	0.5
RP	Apollo/Conbraco	4020402	0.75
RP	Apollo/Conbraco	4020502	1
RP	Apollo/Conbraco	4020602	1.25
RP	Apollo/Conbraco	4020702	1.5
RP	Apollo/Conbraco	4020802	2
RP	Apollo/Conbraco	40201A2	0.25
RP	Apollo/Conbraco	40202A2	0.375
RP	Apollo/Conbraco	4020399T	0.5
RP	Apollo/Conbraco	40203A2	0.5
RP	Apollo/Conbraco	40204A2	0.75
RP	Apollo/Conbraco	40204TCU	0.75
RP	Apollo/Conbraco	40205A2	1
RP	Apollo/Conbraco	40205T2U	1
RP	Apollo/Conbraco	40205T2Z	1
RP	Apollo/Conbraco	40205TC2	1
RP	Apollo/Conbraco	40205TCU	1
RP	Apollo/Conbraco	40206A2	1.25
RP	Apollo/Conbraco	40207A2	1.5
RP	Apollo/Conbraco	40208A2	2
RP	Apollo/Conbraco	40208A4	2
RP	Apollo/Conbraco	4D-200	2 1/2, 3, 4
RP	Apollo/Conbraco	4D-200U	2 1/2, 3, 4
RP	Apollo/Conbraco	RP40	1/4 thru 10



Type	Manufacturer	Model	Size(s)
RP	Apollo/Conbraco	RP40N	3/4 & 1 1/4
RP	Apollo/Conbraco	RP40U	1 1/2 & 2
RP	Apollo/Conbraco	RP40Z	3/4 thru 2
RP	Apollo/Conbraco	RP4A	1/2 thru 2
RP	Apollo/Conbraco	RP4AN	3/4 & 1
RP	Apollo/Conbraco	RPLF40	1/2, 1 1/4, 1 1/2, 2
RP	Apollo/Conbraco	RPLF4A	1/2 thru 12
RP	Apollo/Conbraco	RPLF4AN	3/4 thru 12
RP	Apollo/Conbraco	RPLF4AR	2 1/2 thru 10
RP	Apollo/Conbraco	RPS40	1/4 thru 1
RP	ARI	RP 500	1/2 thru 2
RP	ARI	RP 501	1/2 thru 2
RP	Backflow Direct	Deringer 40	2 1/2, 3, 4, 6, 8
RP	Backflow Direct	Deringer 40G	2 1/2, 3, 4, 8
RP	Backflow Direct	Deringer 40GX	6
RP	Backflow Direct	Deringer 40X	4, 6
RP	Backflow Direct	Magnum 40	2 1/2, 3, 4, 8
RP	Backflow Direct	Magnum 40G	2 1/2, 3, 4, 8
RP	Backflow Direct	Magnum 40GX	6
RP	Backflow Direct	Magnum 40X	6
RP	BEECO	Barracuda 40	2 1/2, 3, 4, 8
RP	BEECO	Barracuda 40X	6
RP	Cla-Val	RP4	8 & 10
RP	Febco	860	1/2 thru 8
RP	Febco	867	2 1/2 & 3
RP	Febco	880	2 1/2 thru 10
RP	Febco	825Y	3/4 thru 2
RP	Febco	825YA	3/4 thru 2
RP	Febco	825YAR	3/4 thru 2
RP	Febco	825YD	2 1/2 thru 10
RP	Febco	825YR	3/4, 1, 1 1/2, 2
RP	Febco	860U	1/2 thru 2
RP	Febco	880V	2 1/2 thru 10

Type	Manufacturer	Model	Size(s)
RP	Febco	LF825Y	3/4, 1, 1 1/2, 2
RP	Febco	LF825YA	3/4 thru 2
RP	Febco	LF860	1/2 thru 10
RP	Febco	LF860U	1/2 thru 2
RP	Febco	LF880V	2 1/2 thru 10
RP	Febco	LF880W	4 thru 10
RP	Febco	LF880WZ	4 thru 10
RP	Watts	909	2 1/2 thru 10
RP	Watts	957	2 1/2 thru 10
RP	Watts	967	2 1/2 thru 10
RP	Watts	990	4 & 8
RP	Watts	992	4 & 10
RP	Watts	994	2 1/2 thru 6
RP	Watts	009	2 1/2 & 3
RP	Watts	009M1PCQT	1 1/4, 1 1/2 & 2
RP	Watts	009M1QT	1 1/4, 1 1/2 & 2
RP	Watts	009M2-FP	1 thru 2
RP	Watts	009M2PCQT	3/4 thru 2
RP	Watts	009M2QT	3/4 thru 2
RP	Watts	009M3-FP	0.75
RP	Watts	009M3QT	0.75
RP	Watts	009PCQT	1/2 thru 2
RP	Watts	009QT	1/4 thru 2
RP	Watts	009SSM1PCQT	2
RP	Watts	009SSM1QT	2
RP	Watts	009SSPCQT	3/4 thru 2
RP	Watts	009SSQT	3/4 thru 2
RP	Watts	909BB	2 1/2 & 3
RP	Watts	909HWQT	3/4 & 1
RP	Watts	909M1	8 & 10
RP	Watts	909M1HWQT	1 1/4 thru 2
RP	Watts	909M1PCHWQT	1 1/4 thru 2
RP	Watts	909M1QT	1 1/4 thru 2
RP	Watts	909PCHWQT	3/4 & 1
RP	Watts	909PCM1QT	1 1/4 thru 2
RP	Watts	909PCQT	3/4 & 1



Type	Manufacturer	Model	Size(s)
RP	Watts	909QT	3/4 & 1
RP	Watts	919AQT	3/4 thru 2
RP	Watts	919QT	3/4 thru 2
RP	Watts	919ZQT	3/4 thru 2
RP	Watts	957 BF	4 & 6
RP	Watts	957N	2 1/2, 3, 4, 6, 8
RP	Watts	957NQT	2 1/2, 3, 4
RP	Watts	957QT	2 1/2 thru 4
RP	Watts	957Z	2 1/2, 3, 4, 8
RP	Watts	957ZQT	2 1/2, 3, 4
RP	Watts	967N	2 1/2, 3, 4, 6
RP	Watts	967Z	2 1/2, 3, 6
RP	Watts	990QTFDA	4 & 8
RP	Watts	995QT	1/2 thru 1 1/2
RP	Watts	FAE909HWQT	1 1/4 thru 2
RP	Watts	FAE909QT	1 1/4 thru 2
RP	Watts	LF009	2 1/2 & 3
RP	Watts	LF009IOTQT	1/2
RP	Watts	LF009M2IOTQT	1 & 2
RP	Watts	LF009M2PCQT	1 & 2
RP	Watts	LF009M2QT	1 thru 2
RP	Watts	LF009M3IOTQT	3/4
RP	Watts	LF009M3PCQT	0.75
RP	Watts	LF009M3QT	0.75
RP	Watts	LF009PCQT	0.5
RP	Watts	LF009QT	0.5
RP	Watts	LF909	2 1/2 thru 6
RP	Watts	LF909M1	8 & 10
RP	Watts	LF909M1PCQT	1 1/4 thru 2
RP	Watts	LF909M1QT	1 1/4 thru 2
RP	Watts	LF909PCQT	3/4 & 1
RP	Watts	LF909QT	3/4 & 1
RP	Watts	LF919AQT	3/4 thru 2
RP	Watts	LF919QT	3/4 thru 2
RP	Watts	LF919ZQT	3/4 thru 2
RP	Watts	LFU919AQT	3/4 thru 2
RP	Watts	LFU919QT	1 thru 2

Type	Manufacturer	Model	Size(s)
RP	Watts	Magnum 40	2 1/2, 3, 4, 8
RP	Watts	Magnum 40G	2 1/2, 3, 4, 8
RP	Watts	Magnum 40GX	6
RP	Watts	Magnum 40X	6
RP	Watts	SS009M3QT	1/4 thru 3/4
RP	Watts	SS009QT	1
RP	Watts	U009APCQT	3/4 & 1
RP	Watts	U009AQT	3/4 & 1
RP	Watts	U009M1APCQT	1 1/2 & 2
RP	Watts	U009M1AQT	1 1/2 & 2
RP	Watts	U009M1PCQT	1 1/4 thru 2
RP	Watts	U009M1QT	1 1/4 thru 2
RP	Watts	U009M2APCQT	1, 1 1/2, 2
RP	Watts	U009M2AQT	1, 1 1/2, 2
RP	Watts	U009M2PCQT	1, 1 1/2, 2
RP	Watts	U009M2QT	3/4, 1, 1 1/2, 2
RP	Watts	U009PCQT	1/2 thru 2
RP	Watts	U009QT	1/2 thru 2
RP	Watts	U009SSPCQT	3/4 thru 2
RP	Watts	U009SSQT	3/4 thru 2
RP	Watts	U909HWQT	3/4 & 1
RP	Watts	U909QT	3/4 & 1
RP	Watts	U919AQT	3/4 thru 2
RP	Watts	U919QT	1 thru 2
RP	Wilkins	375	1/2 Thru 10
RP	Wilkins	475	2 1/2 thru 10
RP	Wilkins	575	3/4, 1, 3, 4, 6
RP	Wilkins	975	8 & 10
RP	Wilkins	375A	2 1/2 thru 10
RP	Wilkins	375AMS	2 1/2 thru 10
RP	Wilkins	375AR	2 1/2 thru 10
RP	Wilkins	375ARMS	2 1/2 thru 10
RP	Wilkins	375ARW1	2 1/2 thru 10
RP	Wilkins	375ARXL	2 1/2 thru 10



Type	Manufacturer	Model	Size(s)
RP	Wilkins	375AST	2 1/2 thru 10
RP	Wilkins	375ASTMS	2 1/2 thru 10
RP	Wilkins	375ASTR	2 1/2 thru 10
RP	Wilkins	375ASTRMS	2 1/2 thru 10
RP	Wilkins	375ASTRW1	2 1/2 thru 10
RP	Wilkins	375ASTW1	2 1/2 thru 10
RP	Wilkins	375AW1	2 1/2 thru 10
RP	Wilkins	375AXL	2 1/2 thru 10
RP	Wilkins	375B	1/2 thru 2
RP	Wilkins	375MS	2 1/2 thru 10
RP	Wilkins	375ST	1/2 thru 1
RP	Wilkins	375W1	2 1/2 thru 10
RP	Wilkins	375XL	1/2 Thru 10
RP	Wilkins	375XLB	1/2 thru 2
RP	Wilkins	375XLMS	2 1/2 thru 10
RP	Wilkins	475MS	2 1/2 thru 10
RP	Wilkins	475ST	4 thru 10
RP	Wilkins	475STR	4 thru 10
RP	Wilkins	475V	2 1/2 thru 10
RP	Wilkins	475VMS	2 1/2 thru 10
RP	Wilkins	475XL	2 1/2 thru 10
RP	Wilkins	475XLMS	2 1/2 thru 10
RP	Wilkins	475XLV	2 1/2 thru 10
RP	Wilkins	475XLVMS	2 1/2 thru 10
RP	Wilkins	575	2.5
RP	Wilkins	575 (MOD-III)	1 1/4 thru 2
RP	Wilkins	575A	3/4 & 1
RP	Wilkins	575M10	10
RP	Wilkins	575M8	8
RP	Wilkins	975	3/4 thru 6
RP	Wilkins	975A	3/4 thru 2
RP	Wilkins	975BMS	2 1/2 thru 10
RP	Wilkins	975MS	2 1/2 thru 10

Type	Manufacturer	Model	Size(s)
RP	Wilkins	975XL	1/4 thru 2
RP	Wilkins	975XL2	1/4 thru 2
RP	Wilkins	975XL2BMS	3/4 thru 2
RP	Wilkins	975XL2MS	3/4 thru 2
RP	Wilkins	975XL2SE	3/4 thru 2
RP	Wilkins	975XL2SEU	3/4 thru 2
RP	Wilkins	975XL2TCU	1/2 thru 2
RP	Wilkins	975XL2U	3/4, 1, 1 1/2, 2
RP	Wilkins	975XL2V	3/4 & 1
RP	Wilkins	975XL3	1/2 thru 2
RP	Wilkins	975SL3BFSS	2
RP	Wilkins	975XL3SE	1/2 thru 1
RP	Wilkins	975XL3SEU	3/4, 1
RP	Wilkins	975XL3U	3/4 thru 2
RP	Wilkins	975XLBF	2
RP	Wilkins	975XLBFSS	2
RP	Wilkins	975XLBMS	3/4 thru 2
RP	Wilkins	975XLD	0.75
RP	Wilkins	975XLDTCU	0.75
RP	Wilkins	975XLMS	3/4 thru 2
RP	Wilkins	975XLSE	3/4 thru 2
RP	Wilkins	975XLSEU	3/4 thru 2
RP	Wilkins	975XLST	3/8 & 1/2
RP	Wilkins	975XLTCU	1/2 thru 2
RP	Wilkins	975XLU	3/4, 1, 1 1/2, 2
RP	Wilkins	975XLV	3/4 & 1



**SCDHEC**

**LIST OF APPROVED BACKFLOW PREVENTION ASSEMBLIES**

**PRESSURE VACUUM BREAKERS (PVB) & SPILL RESISTANT PRESSURE VACUUM BREAKERS (SVB)**

PVB’s & SVB’S are approved for use when protecting the potable water system from back siphonage only when a health hazard or non-health hazard is involved. The term “health hazard” shall mean an actual or potential threat of contamination or pollution of a physical or toxic nature to the potable water system or the consumer’s potable water system to such a degree of intensity that there would be a danger to health. It is very important to understand that the PVB/SVB is **not** designed for backpressure. Also, the PVB/SVB must be installed 12" above any downstream plumbing.

**PRESSURE VACUUM BREAKERS:**

Type	Manufacturer	Model	Size(s)
PVB	Ames	A200	3/4, 1, 1 1/2, 2
PVB	Apollo/Conbraco	4050302	0.5
PVB	Apollo/Conbraco	4050402	0.75
PVB	Apollo/Conbraco	4050502	1
PVB	Apollo/Conbraco	4050602	1.25
PVB	Apollo/Conbraco	4050702	1.5
PVB	Apollo/Conbraco	4050802	2
PVB	Apollo/Conbraco	PVB4A	1/2 thru 2
PVB	Apollo/Conbraco	PVB4V	1/2 thru 2
PVB	ARI	VB-501	1/2, 3/4, 1
PVB	Febco	765	1/2 thru 2
PVB	Febco	767-FR	1/2 thru 2
PVB	Febco	LF767FR	1/2 thru 2
PVB	Watts	800CMQT	1/2 thru 2
PVB	Watts	800M3QT	1/2 thru 2
PVB	Watts	800M4QT	1/2 thru 2
PVB	Watts	800MQT	1/2 & 3/4
PVB	Watts	800QT	3/4 thru 2
PVB	Watts	LF800M4FR	1/2 thru 2
PVB	Watts	LF800M4QT	1/2 thru 2
PVB	Wilkins	420	1/2, 3/4, 1
PVB	Wilkins	710	3/4 & 1
PVB	Wilkins	420XL	1/2, 3/4, 1
PVB	Wilkins	720A	0.5

PVB	Wilkins	720A	3/4 thru 2
-----	---------	------	------------

**SPILL RESISTANT VACUUM BREAKERS:**

Type	Manufacturer	Model	Size(s)
SVB	Watts	008PCQT	3/8 thru 1
SVB	Watts	LF008PCQT	3/8 thru 1
SVB	Wilkins	460	3/8 thru 1
SVB	Wilkins	460XL	3/8 thru 1



**Test Equipment:**

Reference: USC FCCC&HR 10<sup>th</sup> ed. Section 10.2.3.3 Range/Resolution requires a 0-15 psid scale. To ensure the ability of the test equipment to provide accurate data, the field-test equipment shall be calibrated/certified annually with at least 6 points reference. There shall be a dated certification sticker affixed to the test equipment. Only test equipment meeting the recommendation of the University Southern California Foundation for Cross-Connection Control and Hydraulic Research (Ref: USC FCCC&HR 9th ed) shall be accepted for SCDHEC's reporting requirements.





## BACKFLOW EQUIPMENT REPRESENTATIVES

<u>Conbraco/Apollo</u> Pro Marketing Mr. Jim Moore 110 Corporate Dr., Suite L Spartanburg, SC 29303 864-578-4334/843-340-4784 jmoore@promarketinginc.net	<u>Febco/Flowmatic</u> Lewis Marketing Mr. Bob Buddo 3601-C Woodpark Blvd. Charlotte, NC 28206 704-376-0262
<u>Backflow Direct -Deringer</u> Mr. Brad Scott 3290 Monier Circle #300 Rancho Cordova, CA 95742 916-760-4524 brad@backflowdirect.com	<u>Watts &amp; Ames</u> Smith & Stevenson Mr. Joel Golmont / Mr. Mike Davis P.O. Box 240009 Charlotte, NC 28224 800-225-9825/704-525-3388
<u>BAVCO</u> Mr. Jim Purzycki 20435 South Susana Rd. Long Beach, CA 90810 800-458-3492/310-639-5231	<u>Wilkins/Zurn</u> Quality Marketing Mr. Chris Wall 1327 Wood Branch Dr, Suite J Charlotte, NC 28273 704-599-9407
<u>ARI</u> McKinney & Assoc. Mr. Michael McKinney 108 Brady Ct. Cary, NC 27511 919-467-9951	<u>Cash-Acme</u> SNIDER, INC. 3520 Westinghouse Blvd. Charlotte, NC 28273 USA (704) 588-0915
<u>American Backflow Products</u> Mr. Mark Inman 7580-A West Tennessee St. Tallahassee, FL 32303 800-575-9618/850-567-1814	

If you should have any questions concerning this list or need any assistance concerning backflow prevention or cross- connection control, please call or write:

Mr. Steve Fox, Cross Connection Control Program Coordinator  
 SCDHEC / Bureau of Water  
 2600 Bull Street  
 Columbia, SC 29201  
 Phone: 803-898-4426  
 Email: foxsc@dhec.sc.gov

SCDHEC backflow web page:  
<http://www.scdhec.gov/environment/WaterQuality/DrinkingWater/CrossConnectionControl/>